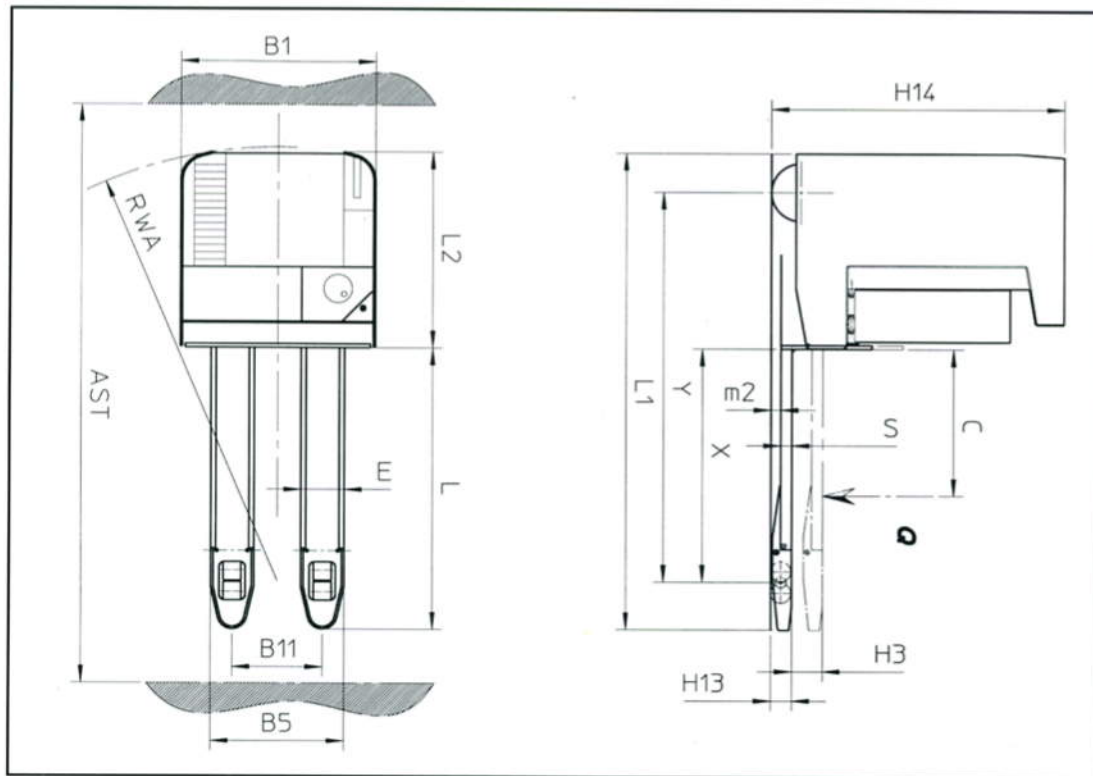


Electric pallet trucks

- Seat or stand on operated



Designation	1.1 Manufacturer				MANITOU		
	1.2 Model type				EPR 720 AD	EPR 720 AS	
	1.3 Powered by: battery, diesel, petrol, LPG, mains electric				Battery	Battery	
	1.4 Driving method: manual, walk-along, upright, seated, preparation				Stand up/seated	Seated	
	1.5 Nominal capacity		Q	t	2	2	
	1.6 Height to centre of gravity		C	mm	600	600	
	1.8 Distance from fork face to track wheels (in raised pos'n)		x	mm	883	883	
	1.9 Wheelbase (drive axle to track wheels), top/bottom position		y	mm	1593 / 1523	1593 / 1623	
Weights	2.1 Weight in working order				kg	940 to 1180	955 to 1195
	2.2 Axle loading when load (front/rear)				kg	1269/2031	1269/2031
	2.3 Axle loading when unload (front/rear)				kg	770/231	770/231
Wheels	3.1 Tyres (front/rear)					Polyurethane	Polyurethane
	3.2 Front wheel dimensions (dia x width)				mm	80x100	80x100
	3.3 Rear wheel dimensions (dia x width)				mm	250x80	250x80
	3.4 Outrigger dimensions				mm	180x75	180x75
	3.5 Number of wheels front / rear (x = drive wheel)					2 / 2x1	2 / 2x1
	3.6 Track centres, front		b10	mm	1580	1580	
	3.7 Track centres, rear		b11	mm	365	365	
Dimensions	4.4 Standard lift		h3	mm	125	125	
	4.9 Handle height in driving position		h14	mm	1185	1185	
	4.15 Fork height when lowered		h13	mm	85 ⁺⁵	85 ⁺⁵	
	4.19 Overall length		l1	mm	1950	1950	
	4.20 Length to front face of forks		l2	mm	800	800	
	4.21 Overall width		b1	mm	790	790	
	4.22 Fork dimensions (thick x wide x long)		s/e/l	mm	45 / 175 / 1150		
	4.25 Fork Pitch		b5	mm	540 (680)	540 (680)	
	4.32 Ground clearance at centre of wheelbase		m2	mm	40	40	
	4.34 Aisle width with 800x1200 pallet lengthwise (b12xl6)		AST	mm	2500	2500	
Performance	5.1 Travel speed load/unload				km/h	8 / 10,5	8 / 10,5
	5.2 Lifting speed, load/unload				m/s	0,29 / 0,38	0,29 / 0,38
	5.3 Lowering speed, load/unload				m/s	0,51 / 0,45	0,51 / 0,45
	5.8 Maximum slope laden/unladen (S2 5 min)				%	10 / 25	10 / 25
	5.10 Drive brake				Electromagnetic		
	5.11 Parking brake				Electromagnetic		
	Drive unit	6.1 Drive motor power (S2 60 min)				kW	2,1
6.2 Lift motor power (S3 10%)				kW	1,2	1,2	
6.3 Battery type as per standard DIN 43531/35/36,A,B,C				Traction		Traction	
6.4 Battery voltage and capacity				V/Ah	240 or 360 or 480		
6.5 Battery weight (+- 5%)				kg	240 - 360 & 480		
Misc	8.1 Speed control				Sepex Mosfet Variator		
	8.4 Average sound level at driver's ears (translation)		dB	(A)	65	65	



MANITOU may, without notice, improve and modify the products presented in this data sheet.

MLM

Z.I., 5, Avenue du Vert-Galant - 95310 SAINT-OUEN L'AUMONE - FRANCE
Tél. : +33 (0) 1.34.32.65.06 or 08 - Fax : +33 (0) 1.34.32.65.10

