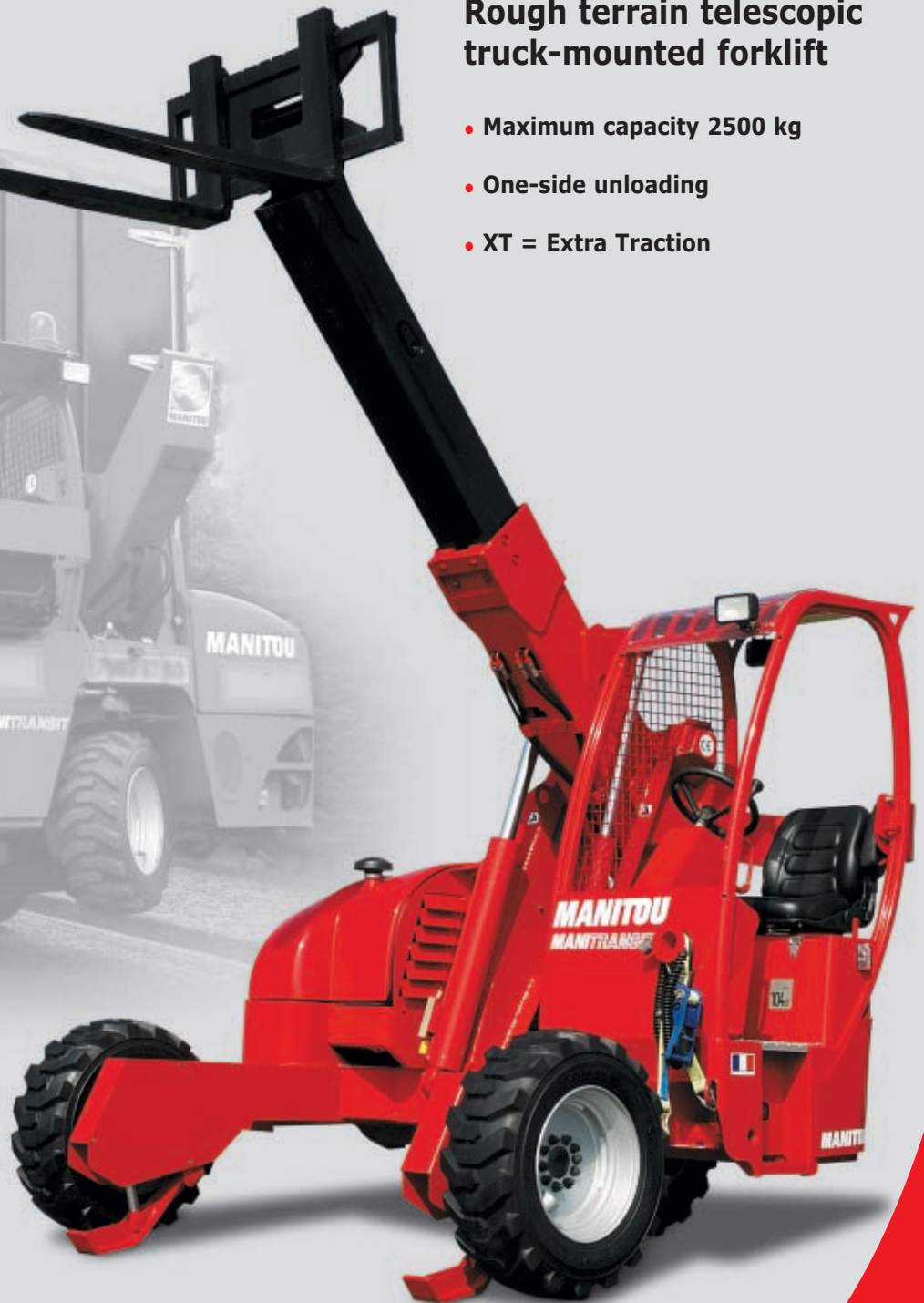


MANITRANSIT **TMT 2520 SR** **XT**

MORE POWER

Rough terrain telescopic truck-mounted forklift

- Maximum capacity 2500 kg
- One-side unloading
- XT = Extra Traction



TMT 2520 SR *XT*



CAPACITY

Maximum capacity2500 kg



LIFTING

Maximum lifting height3420 mm
Maximum front reach1370 mm
Side-shift.....150 mm



ENGINE / TRANSMISSION

TypePERKINS (50 HP)
Hydrostatic transmission
Driving wheels3



TYRES

Front tyres10X16,5 10PR
Rear tyre.....10X16,5 10PR



DIMENSIONS

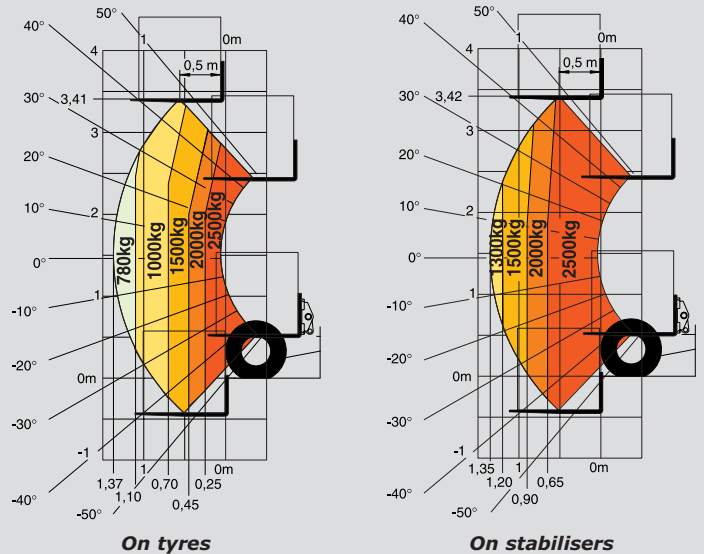
Width2357 mm
Height2212 mm
Overhang (in transport position)1400 mm
Weight (without equipment)2500 kg

IN STANDARD

ROPS/FOPS Cab + load indicator
FNR joystick
Waterproof dashboard and electric connections
Stabilisers
Differential lock
XT traction (2780 daN)

OPTIONS

Full mounting kit (+ load repartition calculation)
Rearview mirrors
Rotating beacon
Road lights
Working lights and reversing light
Load backrest



LONG BOOM



Enables you to unload your lorry from one side only with excellent visibility, without additional attachment.

FNR JOYSTICK



This new « boom control » joystick now integrates the « reversing shift » function : the driver can keep one hand on the steering wheel and one hand on this joystick to operate any movement. Time saving and much better driving position.

XT



In addition to the 50 HP Perkins engine, the TMT 2520 SR XT has optimum torque: a drawbar pull 25% higher than that of the other models (2780 daN).



The specifications contained herein shall not bind the manufacturer and are subject to change without notice. The Manitou described in this brochure may include optional equipment.

MANITOU BF SA

B.P. 249 - 44158 Ancenis Cedex - France
Tél. : 33 2 40 09 10 11 / Export Department Fax : 33 2 40 09 10 97
www.manitou.com

700366EN - Doc BE 310/Ind. A

