

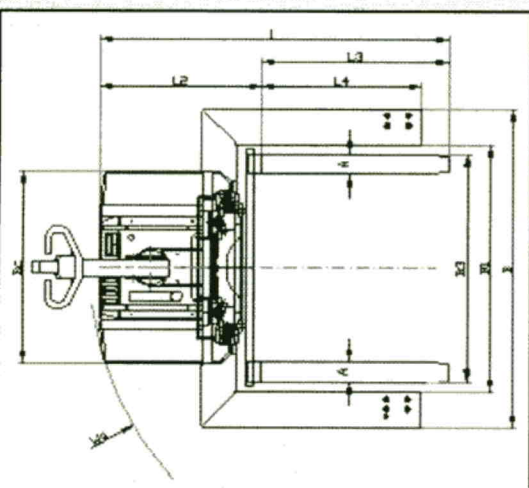
MANILEC

ES7 BI

**Pedestrian operated four ways
electric stackers for long loads**

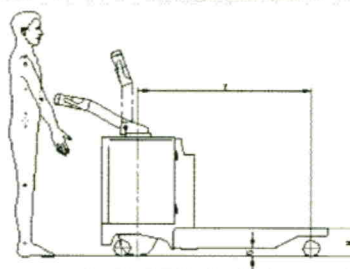


Dénomination	Manufacturer				MANITOU			
	1	2	Model		BI 1300	BI 1600	BI 2000	BI 2500
Specifications	3	Nominal load capacity	Q	kg	1300	1600	2000	2500
	4	Nominal load center	C	mm	500	500	500	500
	5	Standard maximum lifting height	h3	mm	See lifting masts table			
Fork	6	Fork type			Adjustable			
	7	Standard length	L3	mm	950 (other dimensions optional)			
	8	External width minimum / maximum	B3	mm	mini = dim. A x 2 maxi standard = dim. B1 - 100mm			
	9	Fork (width x thickness)	AxS1	mm	100 x 35	100 x 40	120 x 40	100 x 45
Supporting legs	10	Distance from ground in low position	S	mm	50 mm (unless if special maximum B3 >B)			
	11	Standard external width	B	mm	Choice : 1410 or 1610 or 1810			
	12	Standard internal spread	B1	mm	Choice : 1050 or 1250 or 1450			
	13	Length from fork heel (on duplex mast model)	L4	mm	810	810	810	765
	14	Height from ground to leg top	H	mm	200			
Dimensions	15	Ground clearance	G	mm	60	60	60	55
	16	Overall length (with standard fork)	L	mm	1745	1767	1767	1830
	17	Length without fork	L2	mm	795	817	817	880
	18	Chassis width on operator's side	Bc	mm	975	975	975	975
	19	Overall width	B	mm	See external width of supporting legs of fork			
	20	Mast height (fork lowered / lifted)	h1/h4	mm	See lifting masts table			
	21	Wheelbase F/R	Y	mm	1220	1220	1220	1220
Weight	22	Turning radius	Wa	mm	1555	1555	1555	1555
	23	Net weight with 3.3 m duplex mast without battery		kg	1100	1220	1250	
Wheels	24	Net weight of 225 or 312 A/h standard battery		kg	220 or 290			
	25	Polyurethane drive and directing wheel (D x L)		mm	1x (270x90)			1x (320x120)
	26	Controlled load bearing wheels (D x L)		mm	4x (120x50)			4x (120x50)
Performances	27	Tandem stabilising polyurethane wheels (D x L)		mm	4x (120x50)			4x (120x50)
	28	Drive speed : unladen / laden		km/h	6/5.1	6/5	6/4.9	6/4.7
Power	29	Driving aisle with 5 m load (600 mm included for safety)		mm	2345	2367	2367	2430
	30	Drive motor 24V (S2-60mm)		W	1000			1700
	31	Directing column in drive unit		type	Suspended drive unit			
	32	Braking		type	Electromagnetic and current reverse on controller			
	33	Drive control		type	Adjustable electronic controller			
	34	Lifting motor 24V (S3-10%)		W	2000, 3000 or 4000 W according to capacity an lifting height			
	35	Traction battery 24V		A/h	180 to 300			
	36	Charger with electronic regulation, single phase 220V		Amp	External 25A or 40A			



Lifting mast

Type and ref.	Simplex		Duplex			Duplex GLL			Triplex GLL	
	S14	S17	D28	D33	D37	DLL28	DLL33	DLL37	TLL42	TLL47
Fork height (in mm)										
In max. lift height h3	1430	1680	2800	3300	3700	2800	3300	3700	4200	4700
In free lift h2	1430	1680	0	0	0	1430	1680	1880	1430	1600
Overall height with mast (in mm)										
Folded mast h1	1935	2184	1935	2185	2385	1935	2185	2385	1965	2130
Extended mast h4	1935	2184	3310	3810	4210	3310	3820	4210	4735	5230



MANITOU may, without notice, improve and modify the products presented in this data sheet.



MANIFC