

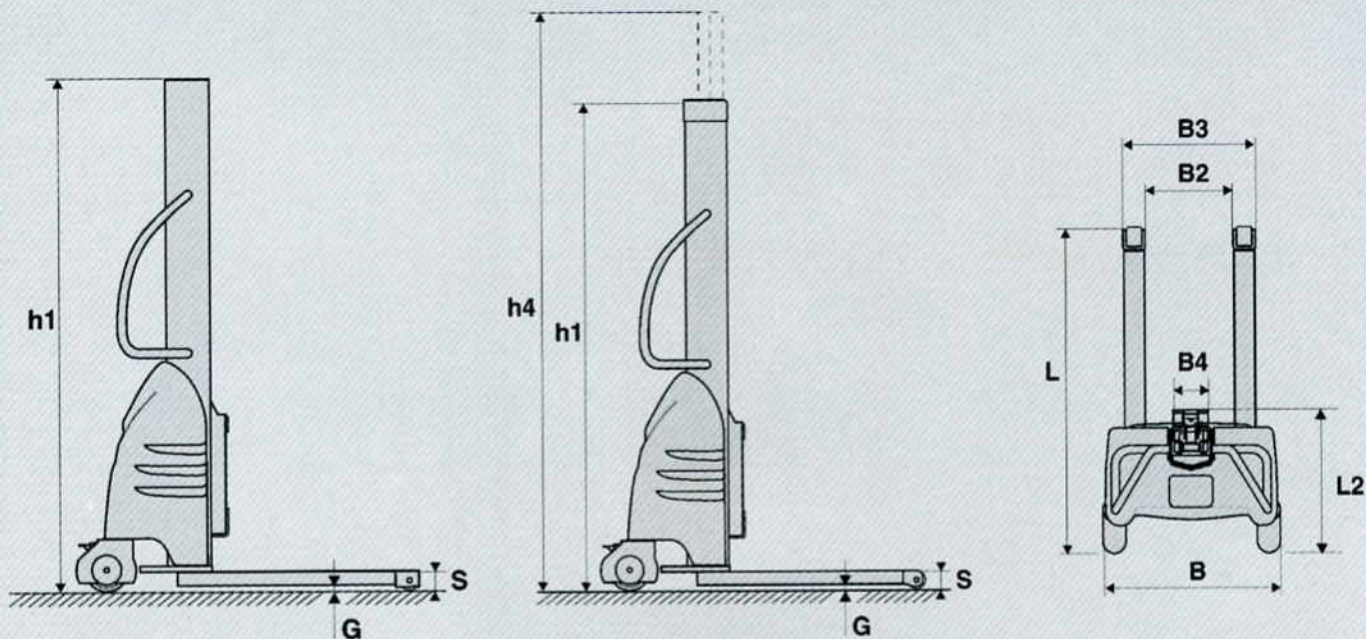
MANILEC

KLÉOS

**Manual and electro-manual stackers
with interchangeable tools**

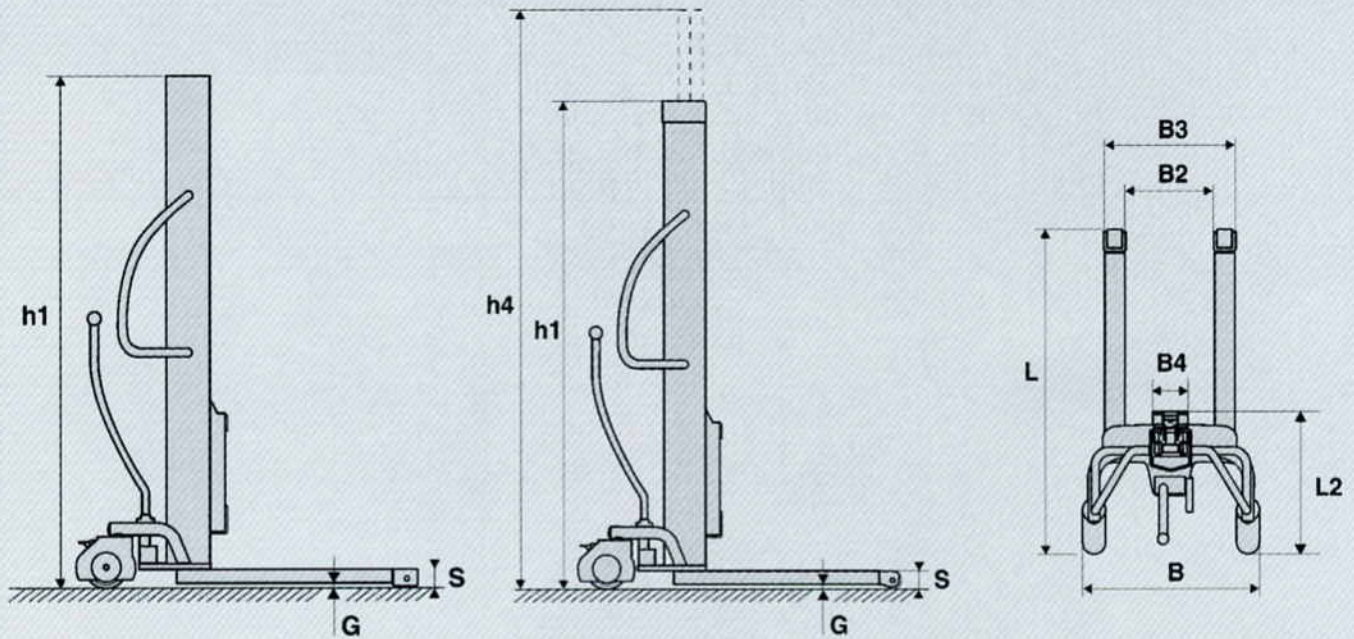


STACKERS WITH ELECTRIC LIFT



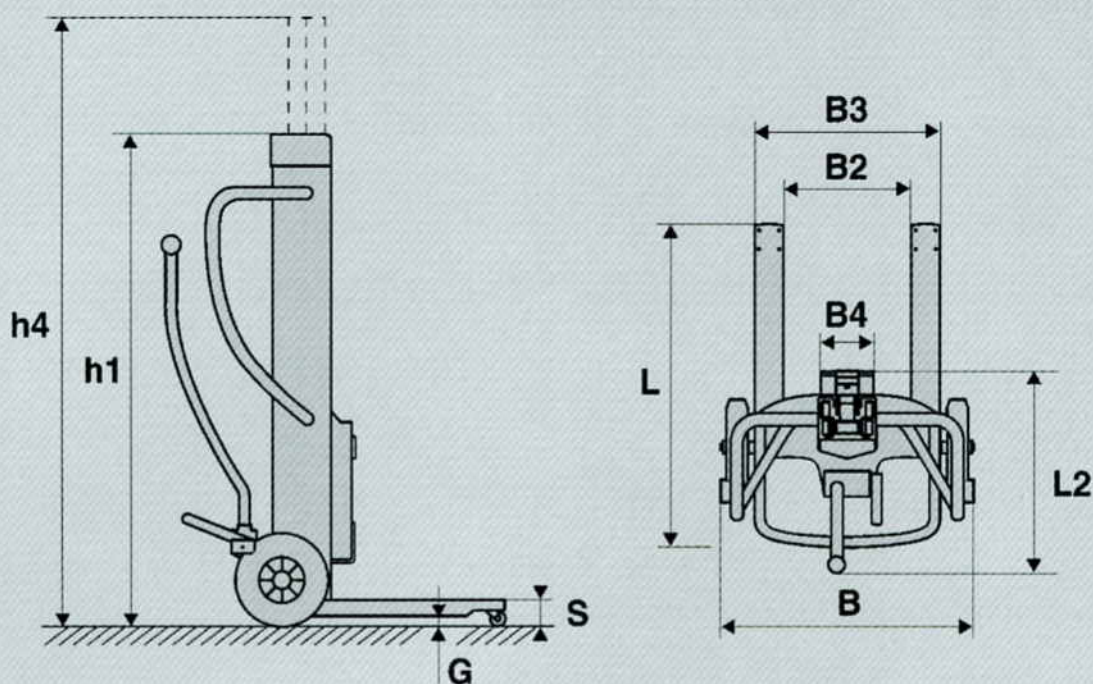
Code		MANITOU						
Manufacturer		MANITOU						
Type		EB 250 D18	EB 250 D25	EB 500 D18	EB 500 D25	EB 1000 S16	EB 1000 D28	
Specifications								
Nominal load capacity	Q	Kg	250		500		1000	
Nominal load center		mm	Conditionned by tool					
Effective load center		Kg	Conditionned by tool					
Lifting mast								
Type of mast :			Duplex	Duplex	Duplex	Duplex	Simplex	Duplex
Overall height mast closed	h1	mm	1 585	1 815	1 600	1 950	1 990	2 025
Overall height mast extended	h4	mm	2 475	3 055	2 490	3 190	1 990	3 400
Lifting distance		mm	1 780	2 480	1 780	2 480	1 570	2 740
Supporting arms								
External width	B3	mm	529		519		520	530
Internal width	B2	mm	351		341		300	310
Height from ground	S	mm	75		75		75	80
Ground clearance	G	mm	40		35		25	30
Dimensions								
Overall length without tool	L	mm	1 032		1 300		1 330	1 450
Overall width	B	mm	710		710		710	715
Length up to carriage	L2	mm	571		575		570	588
Mast width	B4	mm	155		168		188	198
Weight								
Stacker without tool		Kg	155	170	220	240	260	365
Wheels								
Fixed rubber back wheel : Q x (Ø x L)		mm	2 (150 x 50)					2 (160 x 40)
Swivel steel front castor : Q x (Ø x L)		mm	2 (75 x 65)				4 (75 x 65)	
Performances								
Lifting motor power	W		1 200					1 500
12 V battery capacity	A/h		110					
Lifting speed - laden	m/mn		7,5					
Adjustable lowering speed	m/mn		10 maxi					

STACKERS WITH MANUAL LIFT



Code						
Manufacturer		MANITOU				
Type		HM 250 D18	HM 250 D25	HM 500 D18	HM 500 D25	HM 1000 S16
Specifications						
Nominal load capacity	Q	Kg	250		500	
Nominal load center		mm	Conditioned by tool			
Effective load center		Kg	Conditioned by tool			
Lifting mast						
Type of mast :			Duplex	Duplex	Duplex	Duplex
Overall height mast closed	h1	mm	1 585	1 815	1 600	1 950
Overall height mast extended	h4	mm	2 475	3 055	2 490	3 190
Lifting distance		mm	1 780	2 480	1 780	2 480
Supporting arms						
External width	B3	mm	529		519	
Internal width	B2	mm	351		341	
Height from ground	S	mm	75		75	
Ground clearance	G	mm	40		35	
Dimensions						
Overall length without tool	L	mm	1 032		1 300	
Overall width	B	mm	710		710	
Length up to carriage	L2	mm	571		575	
Mast width	B4	mm	155		168	
Weight						
Stacker without tool		Kg	110	120	175	200
Wheels						
Fixed rubber back wheel : Q x (Ø x L)		mm	2 (150 x 50)			
Swivel steel front castor : Q x (Ø x L)		mm	2 (75 x 65)			4 (75 x 65)
Performances						
Lift per stroke		mm	32			20
Adjustable lowering speed		m/mn	10 maxi			

TROLLEY STACKER



Code			
Manufacturer			MANITOU
Type			DHM 250 D15
Specifications			
Nominal load capacity	Q	Kg	250
Nominal load center		mm	(*)
Effective load center		Kg	(*)
Duplex lifting mast			
Overall height mast closed	h1	mm	1 305
Overall height mast extended	h4	mm	2 043
Lifting distance		mm	1 480
Supporting arms			
External width	B3	mm	500
Internal width	B2	mm	340
Height from ground	S	mm	76
Ground clearance	G	mm	45
Dimensions			
Overall length without tool	L	mm	911
Overall width	B	mm	666
Length up to carriage	L2	mm	516
Mast width	B4	mm	152
Weight			
Stacker without tool		Kg	95
Wheels			
Fixed rubber back wheel : Q x (Ø x L)		mm	2 (250 x 40)
Swivel steel front castor : Q x (Ø x L)		mm	2 (50 x 20)
Performances			
Lift per stroke		mm	32
Adjustable lowering speed		m/mn	10 maxi

(*) The effective capacity and the load center are conditioned by the tool used.

